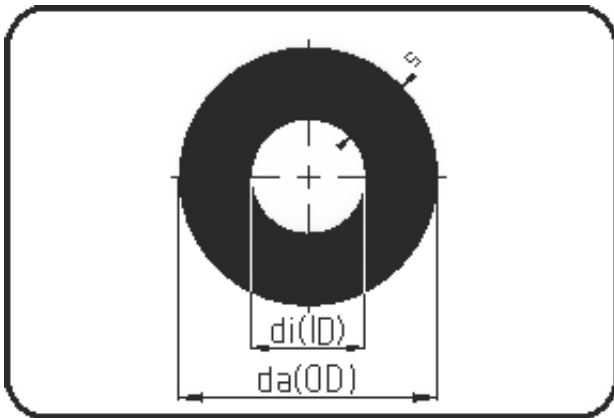


## Tubes



Code: 820

- Hollow bar
- L=1m
- extruded
- PVDF natural

Dimension	Code	Detail	Weight
45	30.820.4530.10	45x30 - 1m	1.71

	Unit	Nominale	Tol+	Tol-
da(OD)	mm	45	0.00	0.00
L	mm	1.000	0.00	0.00
		30	0.00	0.00
s	mm	7,5	0.00	0.00