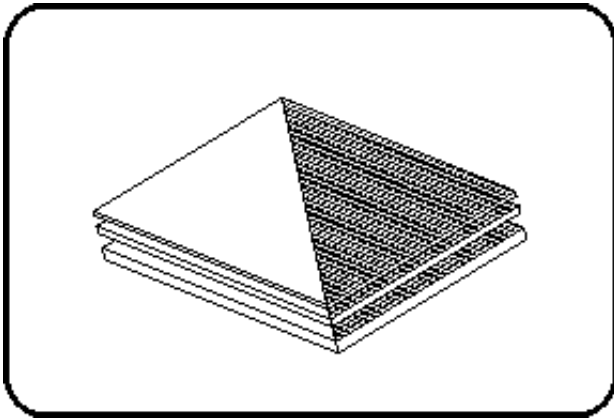


Sheets



Code: 670

- **Sheet SK+ fabric**
- Syn. fabric 3000x1500mm
- extruded
- **protective foil on both sides**
- **ECTFE natural**

Dimension	Code	Detail	Weight
3	40.670.3015.30	3000x1500x3,0	5.58

	Unit	Nominale	Tol+	Tol-
L	mm	3.000	12.00	0.00
b	mm	1.500	7.50	0.00
thick	mm	3	0.26	0.26