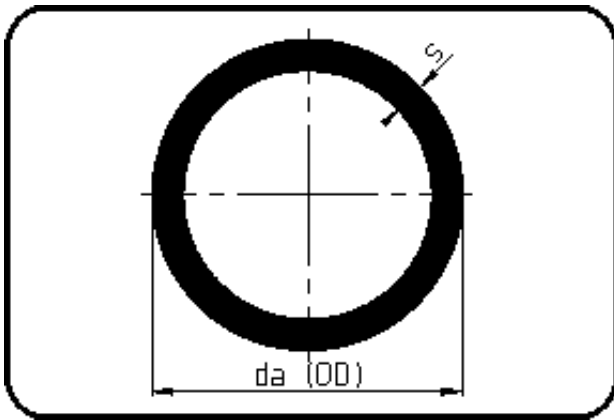


Pipes



Code: 725

- Pipe 5m
- extruded
- PFA natural

Dimension	Code	Detail	Weight
50	44.725.0050.00	50x2,3	0.82

	Unit	Nominale	Tol+	Tol-
da(OD)	mm	50	0.50	0.00
s	mm	2,3	0.50	0.00