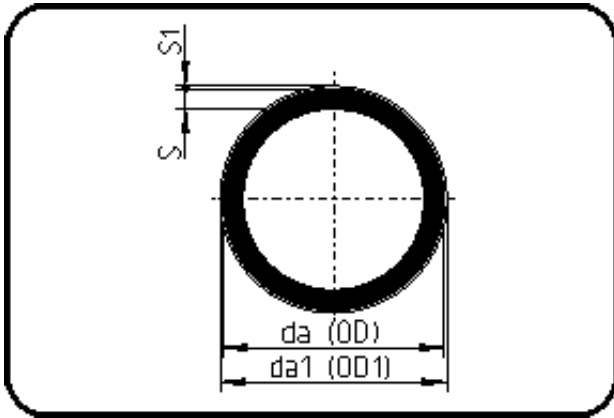


Pipes



Code: 742.1

- Pipe GGS fabric 1m
- glass fabric
- extruded
- PFA natural

Dimension	Code	Detail	Weight
63	44.742.1063.00	63x2,3	1.25

	Unit	Nominale	Tol+	Tol-
da(OD)	mm	63	0.60	0.00
s	mm	2,3	0.50	0.00
s1	mm	3,25	0.00	0.00
da(OD1)	mm	64,4	0.00	0.00