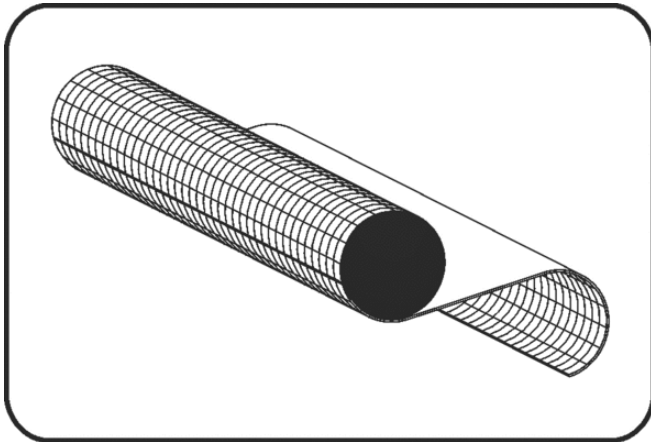


Sheets



Code: 12.6152515

- **Sheet fabric backed-rolled**
- polyester fabric-25000X1500mm
- EN ISO 15013
- extruded
- **protective foil on one side**
- **PPH grey**

Dimension	Code	Detail	b mm	thick mm	Lm m	Weight
3	12.615.2515.03	25000X1500X3	1.500	3	25	3.17
4	12.615.2515.04	25000X1500X4	1.500	4	25	4.00