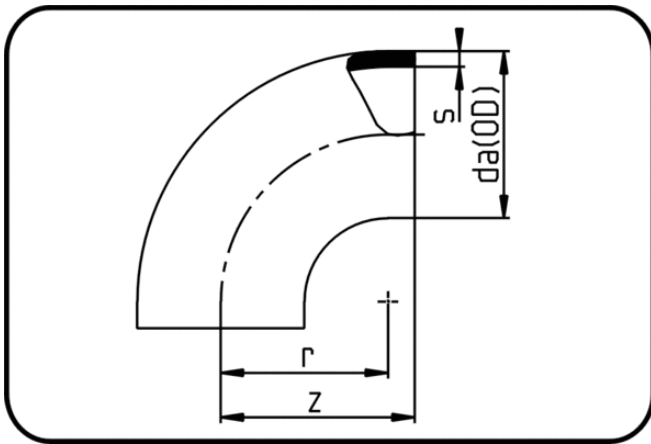


Fittings



Code: 001

- **Bend 90°**
- short spigot
- injection moulded
- **Butt + IR-welding**
- **PVDF natural HV**

Dimension	Code	Detail	da(OD) mm	s mm	z mm	r mm	Weight
140	3H.001.0140.00	140X3,0	140	3	148	140	0.65
160	3H.001.0160.00	160X3,0	160	3	181	157	0.95
200	3H.001.0200.00	200X3,0	200	3	217	196	1.50