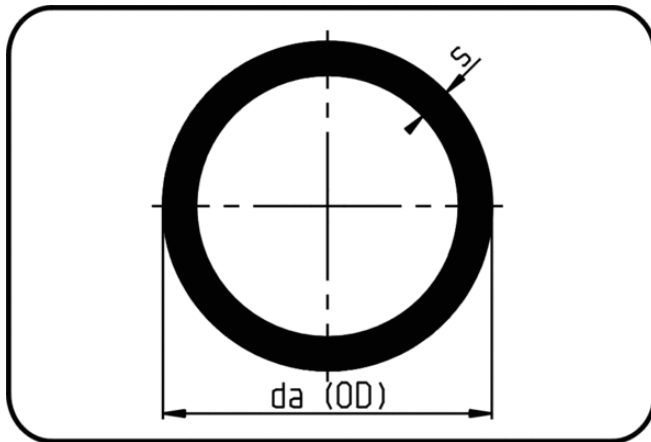


## Pipes



Code: 705

- Pipe 5m
- HV Liner
- extruded+surface treated
- PVDF natural HV

Dimension	Code	Detail	da(OD) mm	s mm	Weight
20	3H.705.0020.00	20x1,9	20	1,9	0.23
25	3H.705.0025.00	25x1,9	25	1,9	0.29
32	3H.705.0032.00	32x2,4	32	2,4	0.46
40	3H.705.0040.00	40x2,4	40	2,4	0.57
50	3H.705.0050.00	50x3,0	50	3	0.89
63	3H.705.0063.00	63x3,0	63	3	1.11
75	3H.705.0075.00	75x3,0	75	3	1.37
90	3H.705.0090.00	90x2,8	90	2,8	1.65
110	3H.705.0110.00	110x3,0	110	3	2.03
140	3H.705.0140.00	140x3,0	140	3	2.60
160	3H.705.0160.00	160x3,0	160	3	2.98
200	3H.705.0200.00	200x3,0	200	3	3.73
250	3H.705.0250.00	250x3,0	250	3	4.68
315	3H.705.0315.00	315x4,0	315	4	7.65
355	3H.705.0355.00	355x4,0	355	4	8.63
400	3H.705.0400.00	400x5,0	400	5	12.00