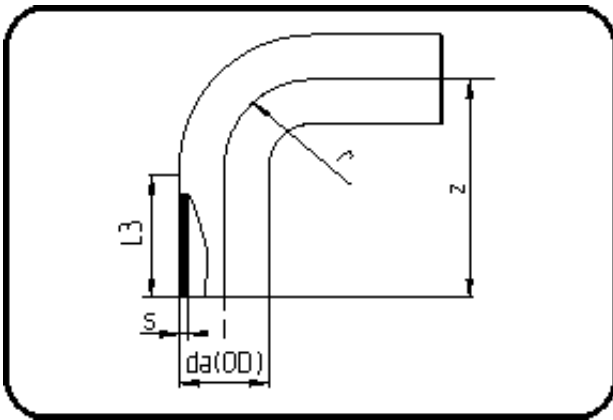


Fittings



Code: 068

- **MULTI-Bend 90°**
- long spigot
- injection moulded
- **Butt + IR-welding**
- **PVDF natural HV**

Dimension	Code	Detail	Weight
90	3H.068.0090.00	90X2,8	0.38

	Unit	Nominale	Tol+	Tol-
da(OD)	mm	90	0.40	0.00
L3	mm	34	1.00	1.00
r	mm	90	0.00	0.00
s	mm	2,8	0.50	0.00
z	mm	123	1.00	1.00