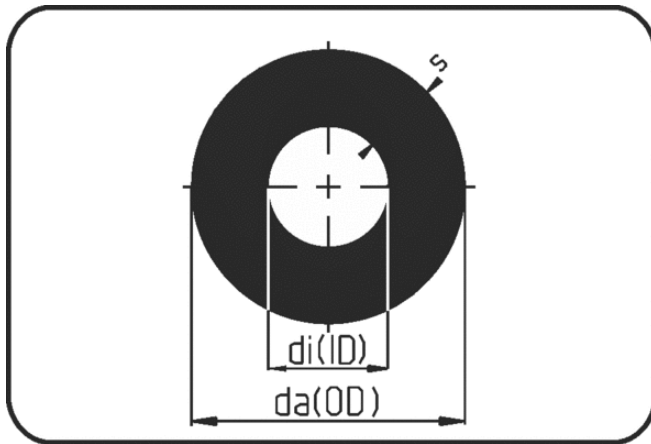


Tubes



Code: 820

- Hollow bar
- L=1m
- extruded
- PVDF natural

Dimension	Code	Detail	da(OD) mm	s mm		L mm	Weight
30	30.820.3015.10	30x15 - 1m	30	7,5	15	1.000	0.98
45	30.820.4530.10	45x30 - 1m	45	7,5	30	1.000	1.71