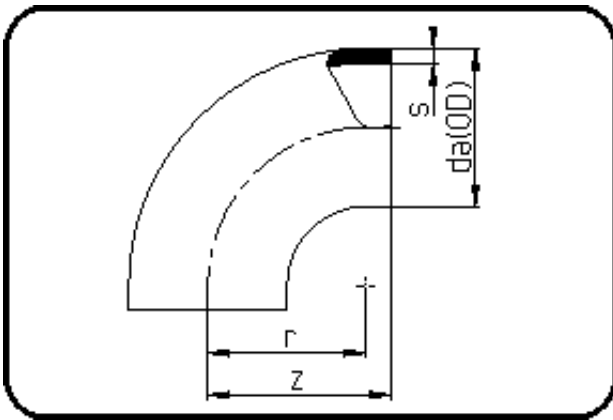


Fittings



Code: 001

- Bend 90°
- short spigot
- injection moulded
- **Butt + IR-welding**
- PVDF natural HV

Dimension	Code	Detail	Weight
200	3H.001.0200.00	200X3,0	1.50

	Unit	Nominale	Tol+	Tol-
da(OD)	mm	200	1.80	0.00
r	mm	196	0.00	0.00
s	mm	3	0.60	0.00
z	mm	217	2.00	2.00