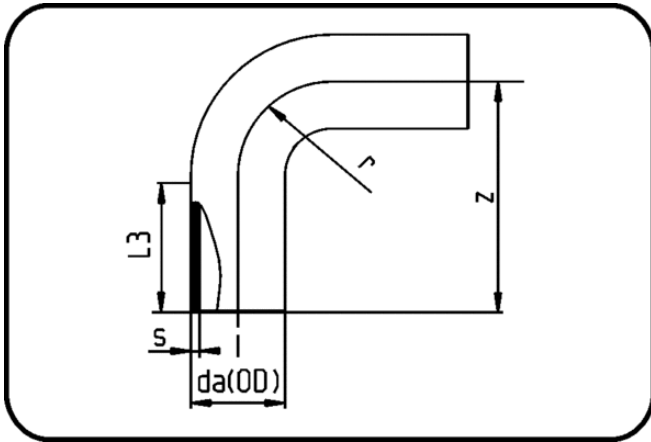


## Fittings



Code: 068

- **MULTI-Bend 90°**
- long spigot
- injection moulded
- **Butt + IR-welding**
- **PVDF natural HV**

Dimension	Code	Detail	da(OD) mm	s mm	z mm	r mm	L3 mm	Weight
20	3H.068.0020.00	20X1,9	20	1,9	51	20	33	0.02
25	3H.068.0025.00	25X1,9	25	1,9	56	25	33	0.03
32	3H.068.0032.00	32X2,4	32	2,4	63	32	33	0.05
40	3H.068.0040.00	40X2,4	40	2,4	72	40	36	0.08
50	3H.068.0050.00	50X3,0	50	3	84	50	36	0.13
63	3H.068.0063.00	63X3,0	63	3	97	63	34	0.20
75	3H.068.0075.00	75X3,6	75	3,6	100	75	28	0.30
90	3H.068.0090.00	90X2,8	90	2,8	123	90	34	0.38
110	3H.068.0110.00	110X3,4	110	3,4	142	110	34	0.66