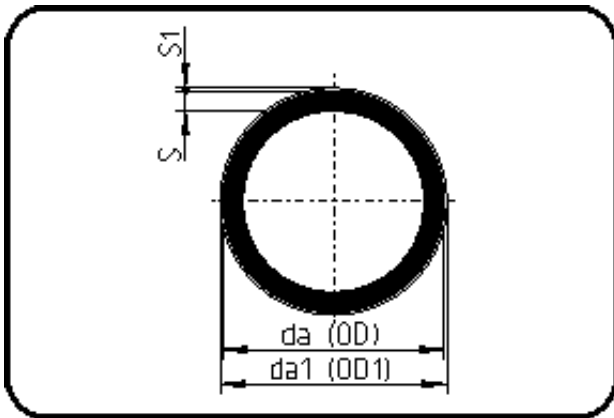


Pipes



Code: 742.1

- Pipe GGS fabric 1m
- glass fabric
- extruded
- FEP natural

Dimension	Code	Detail	Weight
90	4F.742.1090.00	90x2,3	1.80

	Unit	Nominale	Tol+	Tol-
da(OD)	mm	90	0.90	0.00
s	mm	2,3	0.50	0.00
s1	mm	3,25	0.00	0.00
da(OD1)	mm	91,4	0.00	0.00