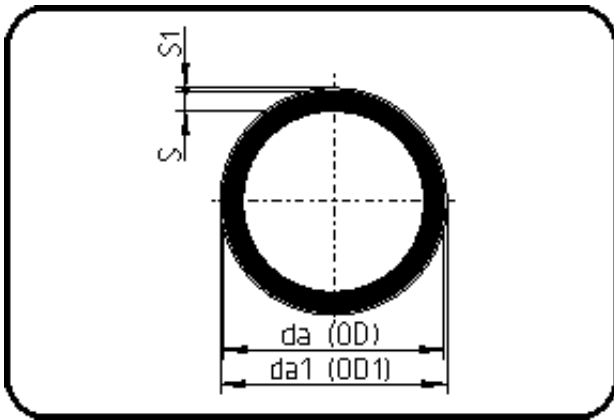


## Pipes



Code: 743

- Pipe SK+ fabric 5m
- Syn. fabric
- extruded
- ECTFE natural

Dim. 200x4.0mm on request.

Dimension	Code	Detail	Weight
32	40.743.0032.00	32x2,4	0.57

	Unit	Nominale	Tol+	Tol-
da(OD)	mm	32	0.30	0.00
s	mm	2,4	0.50	0.00
s1	mm	3,6	0.00	0.00
da(OD1)	mm	34,2	0.00	0.00