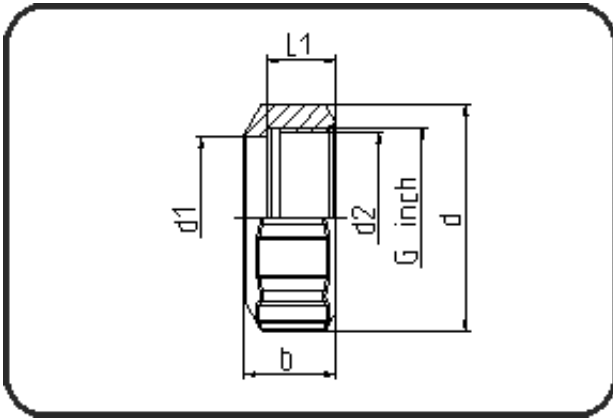


## Fittings



Code: 024.8

- Union nut
- spare part Union 024-A
- injection moulded
- **PVDF UHP natural**

Dimension	Code	Detail	Weight
63	35.024.8063.21	63 - G 2 3/4"	0.15

	Unit	Nominale	Tol+	Tol-
da(OD)	mm	63	0.00	0.00
L1	mm	28	0.50	0.50
G	inch	2,75	0.00	0.00
b	mm	37,5	0.50	0.50
d	mm	100	1.00	1.00
d1	mm	74,2	0.20	0.00
d2	mm	79,2	0.64	0.00