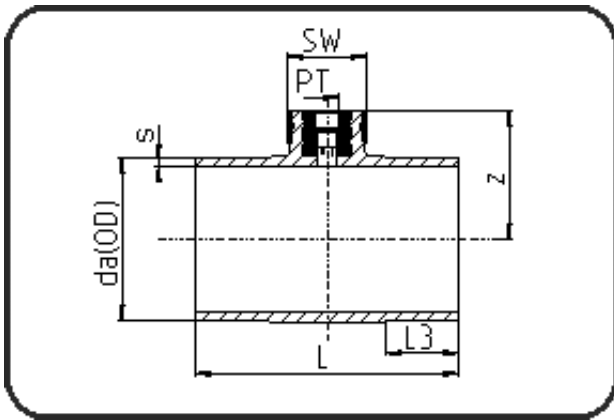


Fittings



Code: 220

- Sampling Tee
- with PT-female thread
- injection moulded
- **Butt + IR-welding**
- **PP Pure grey**

Dimension	Code	Detail	Weight
225	72.220.2216.11	225X3/8" PT SDR11 ISO S-5	2.22

	Unit	Nominale	Tol+	Tol-
da(OD)	mm	225	2.10	0.00
L	mm	180	4.50	4.50
PT	inch	0,375	0.00	0.00
SW	mm	55	1.00	1.00
L3	mm	50	2.25	2.25
s	mm	20,5	2.20	0.00
E	mm	16,66	0.00	0.00
K	mm	14,95	0.00	0.00
z	mm	147,5	4.50	4.50