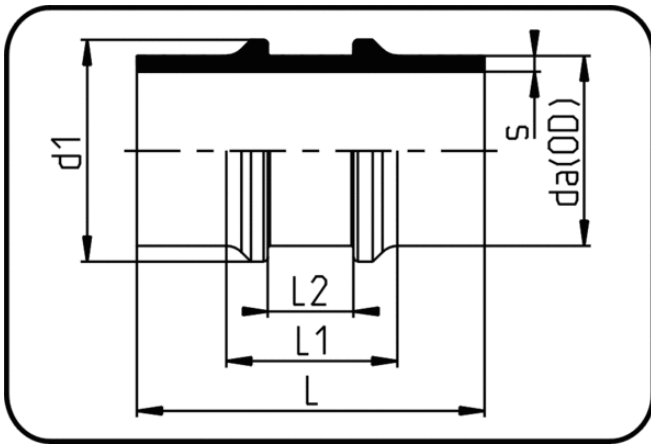


Fittings



Code: 028

- **Restrained Fitting**
- injection moulded
- **Butt + IR-welding**
- **PVDF UHP natural**

Dimension	Code	Detail	da(OD) mm	s mm	L mm	L1 mm	L2 mm	d1 mm	Weight
90	35.028.0090.33	90X2,8 SDR33 ISO S-16	90	2,8	150	75	40,5	104	0.34
110	35.028.0110.33	110X3,4 SDR33 ISO S-16	110	3,4	150	77	41	126	0.52
125	35.028.0125.33	125X3,9 SDR33 ISO S-16	125	3,9	160	98	60,5	143	0.59
140	35.028.0140.33	140X4,3 SDR33 ISO S-16	140	4,3	159	100	60,5	159	0.84
160	35.028.0160.33	160X4,9 SDR33 ISO S-16	160	4,9	160	100	60	180	1.04
32	35.028.0032.21	32X2,4 SDR21 ISO S-10	32	2,4	120	70	31,5	40,5	0.06
63	35.028.0063.21	63X3,0 SDR21 ISO S-10	63	3	120	68	30,5	71	0.20
90	35.028.0090.21	90X4,3 SDR21 ISO S-10	90	4,3	150	75	40,5	104	0.44
110	35.028.0110.21	110X5,3 SDR21 ISO S-10	110	5,3	150	77	41	126	0.66
125	35.028.0125.21	125X6,0 SDR21 ISO S-10	125	6	160	98	60,5	143	0.84
140	35.028.0140.21	140X6,7 SDR21 ISO S-10	140	6,7	159	100	60,5	159	1.10
160	35.028.0160.21	160X7,7 SDR21 ISO S-10	160	7,7	158	99,5	60	178,5	1.41