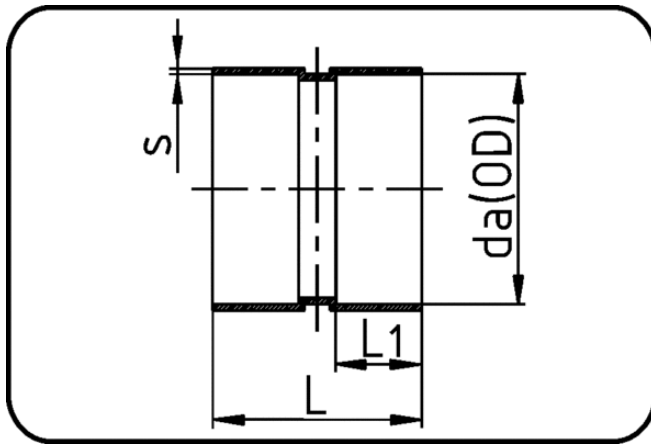


## Fittings



Code: 153

- **Double socket**
- for pressureless applications
- injection moulded
- **Hot-gas-welding**
- **AGRU-Vent PVDF**

Dimension	Code	Detail	da(OD) mm	s mm	L mm	L1 mm	Weight
63	34.153.0063.00	63X3,0	63	3	130	25	0.09
75	34.153.0075.00	75X3,0	75	3	130	35	0.20
90	34.153.0090.00	90X3,0	90	3	130	35	0.20
110	34.153.0110.00	110X3,0	110	3	98	40	0.20
160	34.153.0160.00	160X3,0	160	3	98	40	0.23
200	34.153.0200.00	200X3,0	200	3	118	50	0.40
250	34.153.0250.00	250X3,5	250	3,5	120	50	0.61
315	34.153.0315.00	315X5,0	315	5	120	50	0.99