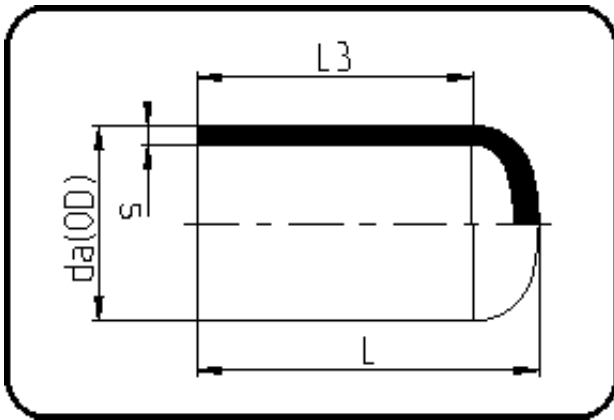


## Fittings



Code: 064

- End Cap
- long spigot
- injection moulded
- **Butt + IR-welding**
- **PP Pure grey**

Dimension	Code	Detail	Weight
110	72.064.0110.11	110X10,0 SDR11 ISO S-5	0.47

	Unit	Nominale	Tol+	Tol-
da(OD)	mm	110	1.00	0.00
L	mm	136	1.50	1.50
L3	mm	104	1.50	1.50
s	mm	10	1.10	0.00