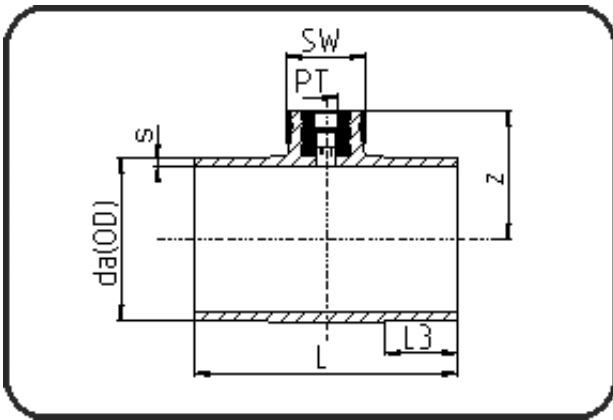


Fittings



Code: 220

- Sampling Tee
- with PT-female thread
- injection moulded
- **Butt + IR-welding**
- **PVDF UHP natural**

Dimension	Code	Detail	Weight
280	35.220.2820.21	280X1/2" PT SDR21 ISO S-10	4.37

	Unit	Nominale	Tol+	Tol-
da(OD)	mm	280	1.80	0.00
L	mm	180	3.00	3.00
PT	inch	0,5	0.00	0.00
SW	mm	55	0.00	0.00
L3	mm	50	1.50	1.50
s	mm	13,4	1.50	0.00
E	mm	20,96	0.00	0.00
K	mm	18,63	0.00	0.00
z	mm	173	3.00	3.00