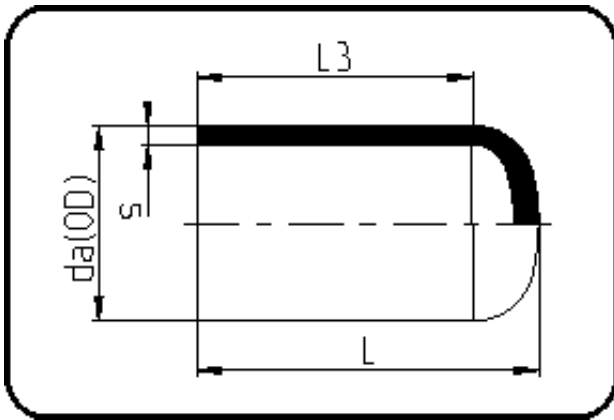


Fittings



Code: 064

- End Cap
- long spigot
- injection moulded
- **Butt + IR-welding**
- **PP Pure grey**

Dimension	Code	Detail	Weight
160	72.064.0160.11	160X14,6 SDR11 ISO S-5	1.15

	Unit	Nominale	Tol+	Tol-
da(OD)	mm	160	1.50	0.00
L	mm	170	3.00	3.00
L3	mm	118,5	2.25	2.25
s	mm	14,6	1.60	0.00