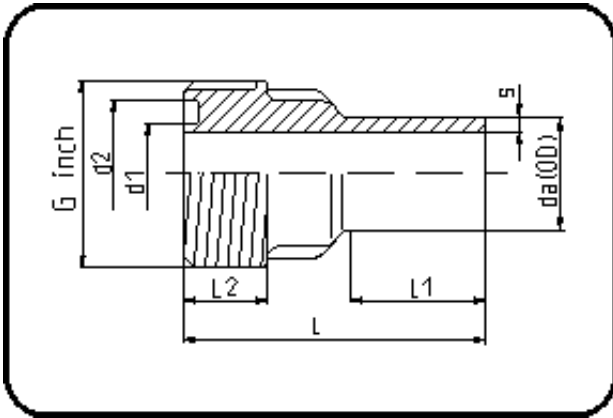


## Fittings



Code: 024.7

- Union bush
- spare part Union 024-A
- injection moulded
- **Butt + IR + HPF-welding**
- **PVDF UHP natural**

Dimension	Code	Detail	Weight
63	35.024.7063.21	63X3,0 SDR21 ISO S-10	0.16

	Unit	Nominale	Tol+	Tol-
da(OD)	mm	63	0.40	0.00
L	mm	68	1.00	1.00
L1	mm	27	1.00	1.00
G	inch	2,75	0.00	0.00
L2	mm	21,2	0.20	0.20
s	mm	3	0.60	0.00
d1	mm	57	0.20	0.20
d2	mm	69,4	0.20	0.20