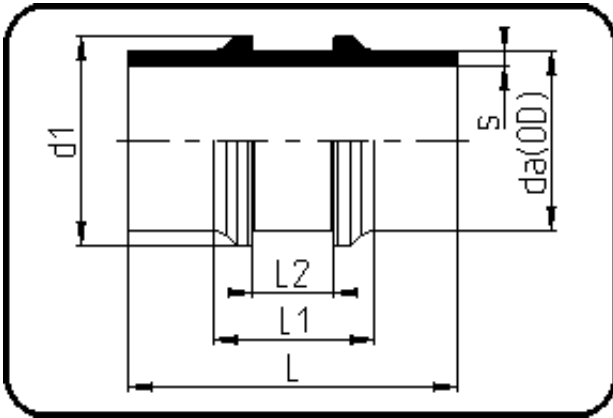


Fittings



Code: 301

- **Restrained Fitting**
- machined
- **Butt + IR-welding**
- **PVDF UHP natural**

Dimension	Code	Detail	Weight
75	35.301.0075.21	75X3,6 SDR 21/ISO-S10	0.34

	Unit	Nominale	Tol+	Tol-
da(OD)	mm	75	0.40	0.00
L	mm	150	1.00	1.00
L1	mm	75	0.50	0.50
L2	mm	40,5	0.50	0.00
s	mm	3,6	0.60	0.00
d1	mm	87	0.00	0.50