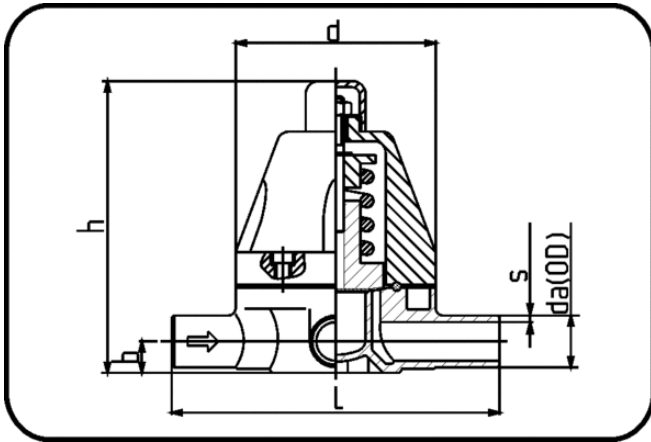


Valves



Code: 245

- Pressure relief valve V185
- PTFE diaphragm
- injection moulded
- **Butt + IR-welding**
- **PVDF UHP natural**

** On request.

Dimension	Code	Detail	da(OD) mm	s mm	L mm	d mm	h mm	b mm	Weight
20	35.245.0020.21	20 - SDR21 MOP 10 bar	20	1,9	158	83	137	20	0.70
25	35.245.0025.21	25 - SDR21 MOP 10 bar	25	1,9	158	83	137	20	0.70
32	35.245.0032.21	32 - SDR21 MOP 10 bar	32	2,4	198	112	199	27	1.70
40	35.245.0040.21	40 - SDR21 MOP 10 bar	40	2,4	202	112	199	27	1.70
50	35.245.0050.21	50 - SDR21 MOP 10 bar	50	3	256	165	290	43	7.38
63	35.245.0063.21	63 - SDR21 MOP 10 bar	63	3	256	165	290	43	8.30