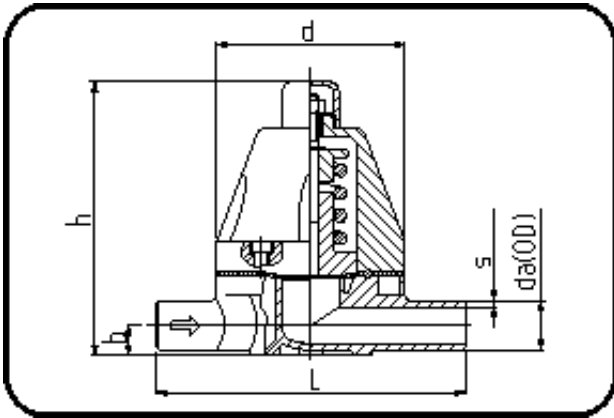


Valves



Code: 244

- Pressure retaining valve V186
- PTFE diaphragm
- injection moulded
- **Butt + IR-welding**
- **PP Pure grey**

Dimension	Code	Detail	Weight
50	72.244.0050.11	50 - SDR11 MOP 10 bar	4.74

	Unit	Nominale	Tol+	Tol-
da(OD)	mm	50	0.00	0.00
L	mm	256	0.00	0.00
b	mm	43	0.00	0.00
DN	mm	40	0.00	0.00
s	mm	4,6	0.60	0.00
d	mm	165	0.00	0.00
p	bar	10	0.00	0.00
h	mm	290	0.00	0.00
da	inch	1,5	0.00	0.00