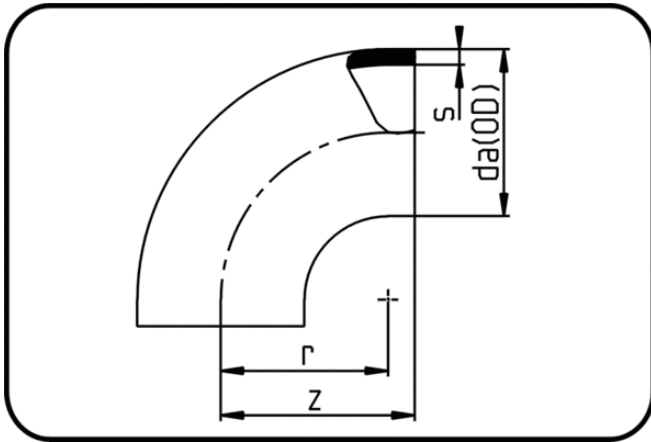


Fittings



Code: 001

- **Bend 90°**
- short spigot
- injection moulded
- **Butt-welding**
- **AGRU-Vent PVDF**

Dimension	Code	Detail	da(OD) mm	s mm	z mm	r mm	Weight
140	34.001.0140.00	140X3,0	140	3	148	140	0.65
160	34.001.0160.00	160X3,0	160	3	181	157	0.96
200	34.001.0200.00	200X3,0	200	3	217	196	1.47
250	34.001.0250.00	250X3,0	250	3	287	250	2.96
315	34.001.0315.33	315X9,7	315	9,7	338	300	9.99