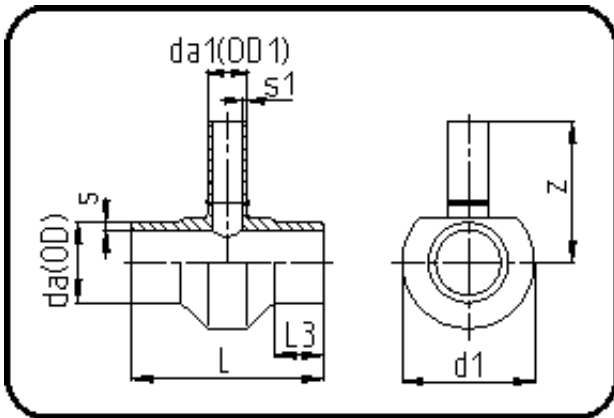


## Fittings



Code: 307

- Tee reduced
- machined
- Butt + IR-welding
- PVDF UHP natural

Dimension	Code	Detail	Weight
90/75	35.307.9075.21	90/75 SDR21 ISO S-10	1.61

	Unit	Nominale	Tol+	Tol-
da(OD)	mm	90	0.40	0.00
L	mm	230	3.00	3.00
L3	mm	57,5	1.50	1.50
s	mm	4,3	0.70	0.00
d1	mm	130	1.50	1.50
s1	mm	3,6	0.60	0.00
da(OD1)	mm	75	0.40	0.00
z	mm	153	9.00	9.00