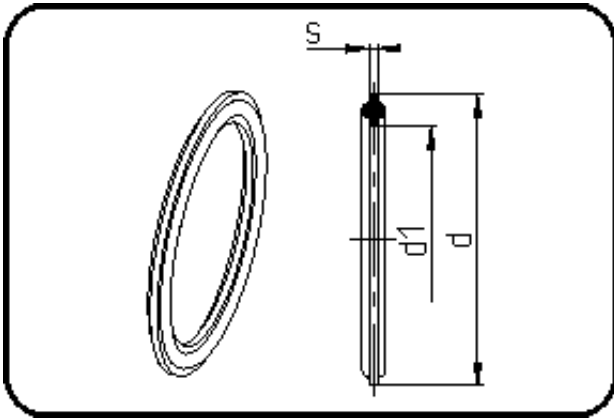


Backing Rings, Accessories



Code: 379

- Sealing f. San. Joint Fitting
- FPM-sealing HP

Dimension	Code	Detail	Weight
40	88.379.0040.21	64,0x38,4 (ISO 1127)	0.02

	Unit	Nominale	Tol+	Tol-
da(OD)	mm	40	0.00	0.00
s	mm	1,8	0.00	0.00
d	mm	64	0.00	0.00
d1	mm	38,4	0.00	0.00
da	inch	1,25	0.00	0.00