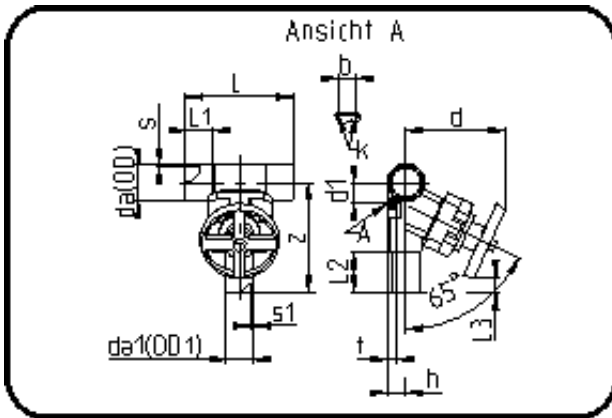


Valves



Code: 343

- T-Diaphragm Valve
- manually controlled
- EPDM/PTFE diaphragm
- **Butt + IR + HPF-welding**
- **PVDF UHP natural**

Dimension	Code	Detail	Weight
160/32	35.343.1632.21	160/32 - SDR21 MOP 10 bar	2.63

	Unit	Nominale	Tol+	Tol-
L	mm	212	3.00	3.00
cv	gal	0	0.00	0.00
s	mm	7,7	1.00	0.00
t	mm	30	1.50	1.50
Kv-I	min	0	0.00	0.00
s1	mm	2,4	0.50	0.00
z	mm	224	3.00	3.00
da(OD)	mm	160	1.00	0.00
L1	mm	52	1.50	1.50
L3	mm	35	1.50	1.50
L2	mm	62	1.50	1.50
b	mm	25	0.00	0.00
DN	mm	150	0.00	0.00
d	mm	144	3.00	3.00
d1	mm	105	1.50	1.50
da1	inch	1	0.00	0.00
h	mm	18	0.75	0.75
K	mm	M8	0.00	0.00
da(OD1)	mm	32	0.30	0.00
DN2	mm	25	0.00	0.00
da	inch	5	0.00	0.00