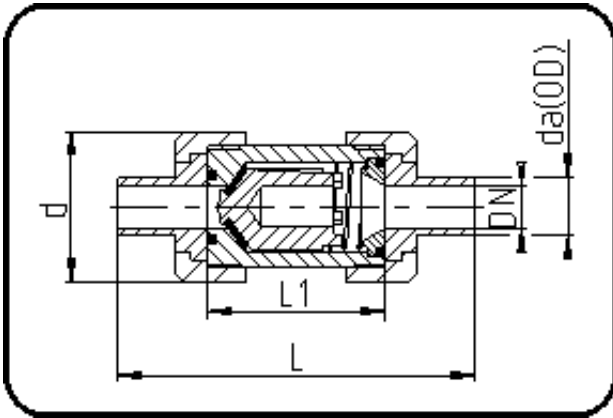


## Valves



Code: 336.13

- Check Valve with Spring
- FPM-sealing
- injection moulded
- **Butt + IR-welding**
- **PP Pure grey**

Dimension	Code	Detail	Weight
63	72.336.1363.11	63 - SDR11 ISO S-5	0.92

	Unit	Nominale	Tol+	Tol-
da(OD)	mm	63	0.00	0.00
L	mm	220	7.50	7.50
L1	mm	108	0.75	0.75
DN	mm	50	0.00	0.00
d	mm	118	0.75	0.75
p	bar	10	0.00	0.00