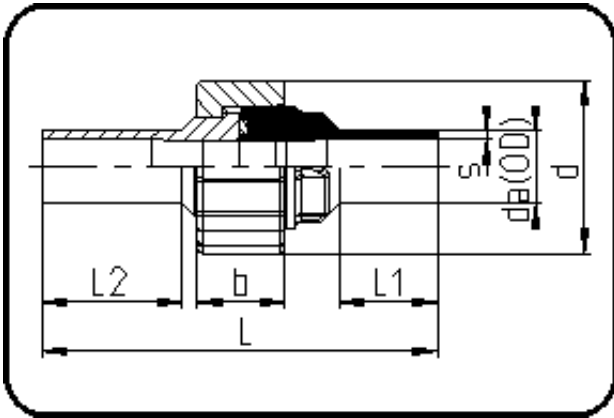


## Fittings



Code: 024

- Union Type 24
- FPM-sealing with FDA Approval
- injection moulded
- **Butt + IR-welding**
- **PP Pure grey**

Dimension	Code	Detail	Weight
25	72.024.0125.11	25X2,3 SDR11 ISO S-5	0.07

	Unit	Nominale	Tol+	Tol-
da(OD)	mm	25	0.30	0.00
L	mm	114	3.00	3.00
L1	mm	24	1.50	1.50
L2	mm	39	1.50	1.50
b	mm	26	0.75	0.75
s	mm	2,3	0.50	0.00
d	mm	57	1.50	1.50