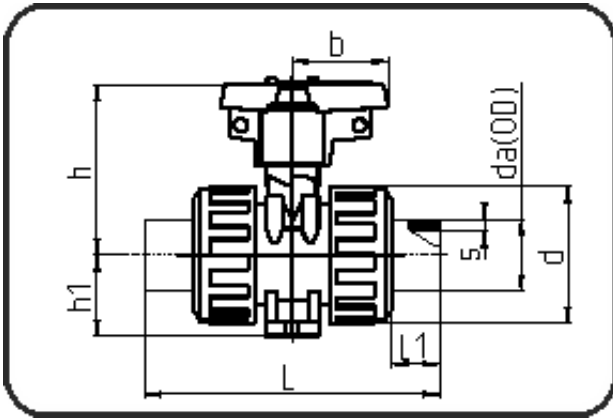


Valves



Code: 363.15

- Ball Valve M1
- FPM-sealing
- injection moulded
- **Butt + IR-welding**
- PP Pure grey

Dimension	Code	Detail	Weight
40	72.363.1540.11	40 - SDR11 ISO S-5	0.56

	Unit	Nominale	Tol+	Tol-
da(OD)	mm	40	0.40	0.00
L	mm	172,5	1.50	1.50
L1	mm	20,5	0.75	0.75
h1	mm	51	0.75	0.75
b	mm	63,5	0.00	0.00
DN	mm	32	0.00	0.00
s	mm	3,7	0.50	0.00
d	mm	92	0.75	0.75
p	bar	10	0.00	0.00
h	mm	98,5	0.75	0.75