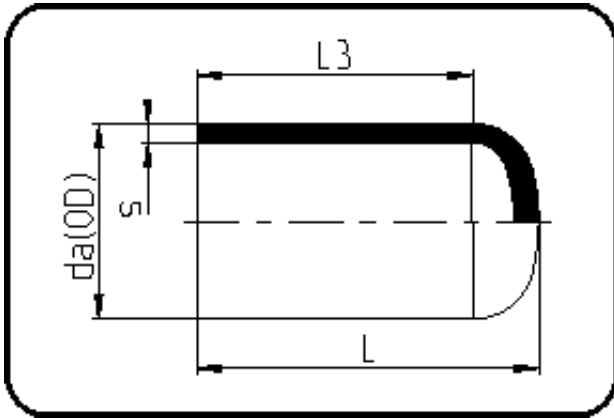


Fittings



Code: 064

- End Cap
- long spigot
- injection moulded
- **Butt + IR-welding**
- **PVDF UHP natural**

Dimension	Code	Detail	Weight
90	35.064.0090.33	90X2,8 SDR33 ISO S-16	0.20

	Unit	Nominale	Tol+	Tol-
da(OD)	mm	90	0.40	0.00
L	mm	110	2.25	2.25
L3	mm	84	2.25	2.25
s	mm	2,8	0.50	0.00