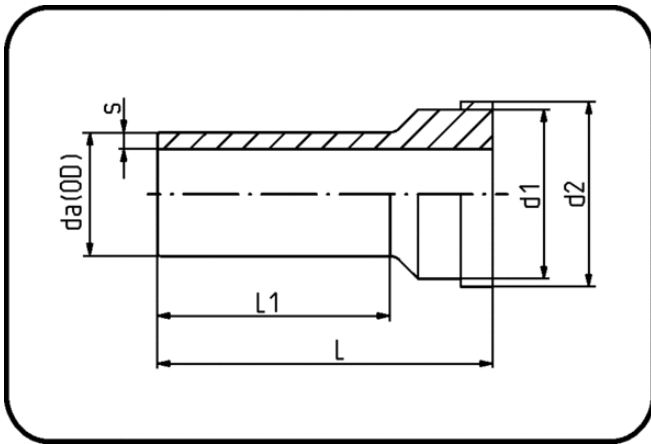


Fittings



Code: 024.2

- Union end
- spare part Union 024
- injection moulded
- **Butt + IR-welding**
- **PVDF UHP natural**

Dimension	Code	Detail	da(OD) mm	s mm	L mm	L1 mm	d1 mm	d2 mm	Weight
75	35.024.2075.21	75X3,6 SDR21 ISO S-10	75	3,6	66	37	90	101	0.21
90	35.024.2090.21	90X4,3 SDR21 ISO S-10	90	4,3	65	55	90	101	0.18