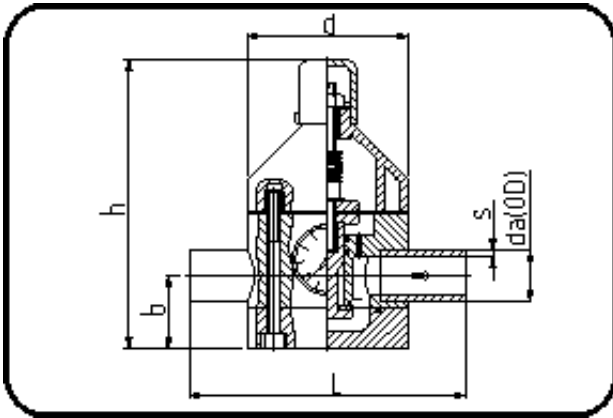


Valves



Code: 241

- Pressure reducing valve V82
- with gauge guard
- **Butt + IR-welding**
- **PP Pure grey**

Dimension	Code	Detail	Weight
25	72.241.0025.11	25 - SDR11 MOP 10 bar	1.15

	Unit	Nominale	Tol+	Tol-
da(OD)	mm	25	0.00	0.00
L	mm	190	0.00	0.00
b	mm	40	0.00	0.00
DN	mm	20	0.00	0.00
s	mm	2,3	0.00	0.00
d	mm	100	0.00	0.00
p	bar	10	0.00	0.00
h	mm	170	0.00	0.00
da	inch	0,75	0.00	0.00