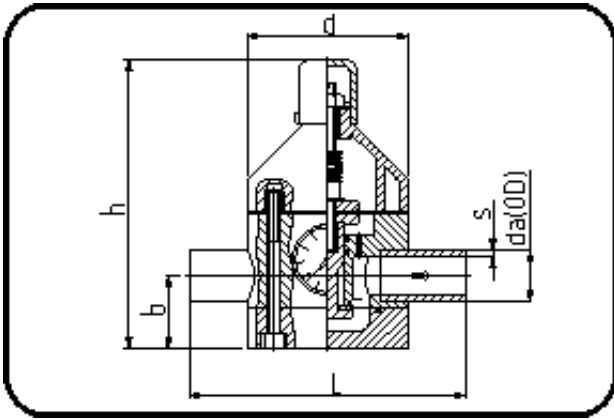


Valves



Code: 241.1

- Pressure reducing valve V82
- with gauge guard/stainless
- **Butt + IR-welding**
- **PVDF UHP natural**

Dim. 75 on request.

Dimension	Code	Detail	Weight
25	35.241.1025.21	25 - SDR21 MOP 10 bar	1.68

	Unit	Nominale	Tol+	Tol-
da(OD)	mm	25	0.00	0.00
L	mm	190	0.00	0.00
b	mm	40	0.00	0.00
DN	mm	20	0.00	0.00
s	mm	1,9	0.00	0.00
d	mm	100	0.00	0.00
p	bar	10	0.00	0.00
h	mm	170	0.00	0.00
da	inch	0,75	0.00	0.00