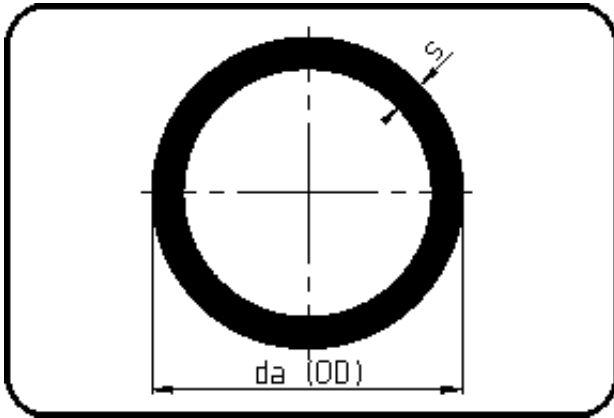


Pipes



Code: 705

- Pipe 5m
- extruded
- PVDF UHP natural

Dimension	Code	Detail	Weight
160	35.705.0160.21	160X7,7 SDR21 ISO S-10	6.96

	Unit	Nominale	Tol+	Tol-
da(OD)	mm	160	1.00	0.00
s	mm	7,7	1.00	0.00