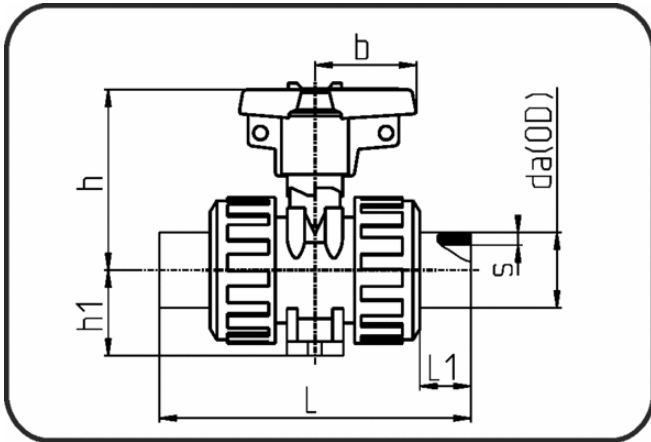


Valves



Code: 363.15

- **Ball Valve M1**
- FPM-sealing
- injection moulded
- **Butt + IR-welding**
- **PVDF UHP natural**

Dimension	Code	Detail	da(OD) mm	L mm	d mm	h mm	b mm	DN mm	Weight
20	35.363.1520.21	20 - SDR21 ISO S-10	20	124	56,5	74,5	40	15	0.31
25	35.363.1525.21	25 - SDR21 ISO S-10	25	143	67	83	51,5	20	0.45
32	35.363.1532.21	32 - SDR21 ISO S-10	32	152	73,5	85,5	51,5	25	0.59
40	35.363.1540.21	40 - SDR21 ISO S-10	40	171	90	104,5	64	32	0.93
50	35.363.1550.21	50 - SDR21 ISO S-10	50	190	105,5	113	73	40	1.42
63	35.363.1563.21	63 - SDR21 ISO S-10	63	221	124,5	121,5	85	50	2.09
75	35.363.1575.21	75 - SDR21 ISO S-10	75	278	157,5	151,5	110	63	4.28
90	35.363.1590.21	90 - SDR21 ISO S-10	90	290,5	192,5	167	132	80	7.42
110	35.363.1511.21	110 - SDR21 ISO S-10	110	318,5	192,5	167	132	100	7.36