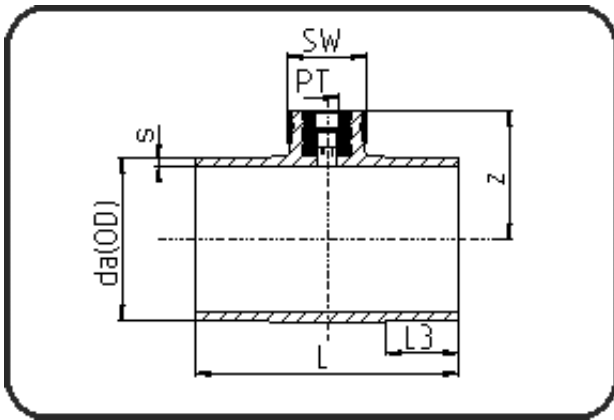


## Fittings



Code: 220

- Sampling Tee
- with PT-female thread
- injection moulded
- **Butt + IR-welding**
- **PP Pure grey**

Dimension	Code	Detail	Weight
40	72.220.4016.11	40X3/8" PT SDR11 ISO S-5	0.14

	Unit	Nominale	Tol+	Tol-
da(OD)	mm	40	0.40	0.00
L	mm	126	3.00	3.00
PT	inch	0,375	0.00	0.00
SW	mm	55	1.00	1.00
L3	mm	30	1.50	1.50
s	mm	3,7	0.50	0.00
E	mm	16,66	0.00	0.00
K	mm	14,95	0.00	0.00
z	mm	58	3.00	3.00