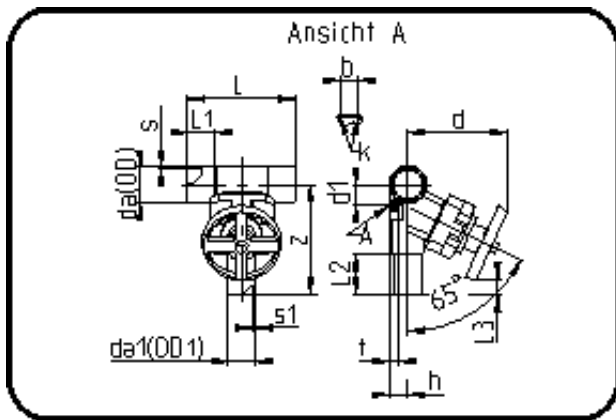


Valves



Code: 343

- T-Diaphragm Valve
- manually controlled
- EPDM/PTFE diaphragm
- **Butt + IR + HPF-welding**
- **PVDF UHP natural**

Dimension	Code	Detail	Weight
50/25	35.343.5025.21	50/25 - SDR21 MOP 10 bar	0.96

	Unit	Nominale	Tol+	Tol-
L	mm	184	1.50	1.50
cv	gal	15,4	0.00	0.00
s	mm	3	0.60	0.00
t	mm	20	1.50	1.50
Kv-I	min	220	0.00	0.00
s1	mm	1,9	0.40	0.00
z	mm	160,5	1.50	1.50
da(OD)	mm	50	0.40	0.00
L1	mm	46	0.75	0.75
L3	mm	36	1.50	1.50
L2	mm	60	0.75	0.75
b	mm	25	0.00	0.00
DN	mm	40	0.00	0.00
d	mm	128	3.00	3.00
d1	mm	39	1.50	1.50
da1	inch	0,75	0.00	0.00
h	mm	26,5	0.75	0.75
K	mm	M6	0.00	0.00
da(OD1)	mm	25	0.30	0.00
DN2	mm	20	0.00	0.00
da	inch	1,5	0.00	0.00