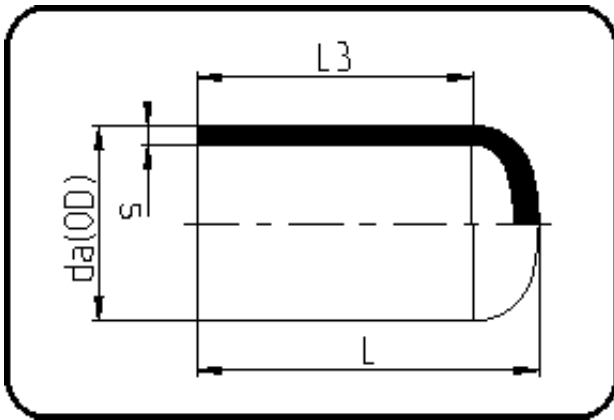


Fittings



Code: 064

- End Cap
- long spigot
- injection moulded
- **Butt + IR-welding**
- **PP Pure grey**

Dimension	Code	Detail	Weight
250	72.064.0250.11	250X22,7 SDR11 ISO S-5	3.86

	Unit	Nominale	Tol+	Tol-
da(OD)	mm	250	2.30	0.00
L	mm	230	2.25	2.25
L3	mm	161	3.00	3.00
s	mm	22,7	2.40	0.00