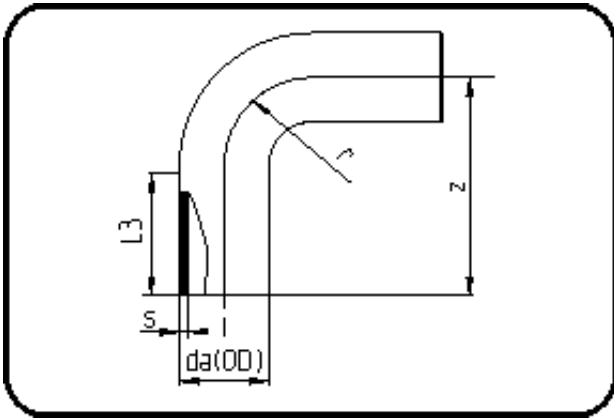


MULTI Fittings



Code: 068

- **MULTI-Bend 90°**
- long spigot
- injection moulded
- **Butt + IR + HPF-welding**
- **AGRU-Vent PVDF**

Dimension	Code	Detail	Weight
63	34.068.0063.21	63X3,0 SDR21 ISO S-10	0.20

	Unit	Nominale	Tol+	Tol-
da(OD)	mm	63	0.40	0.00
L3	mm	38	1.50	1.50
r	mm	63	0.00	0.00
s	mm	3	0.60	0.00
z	mm	97	1.50	1.50