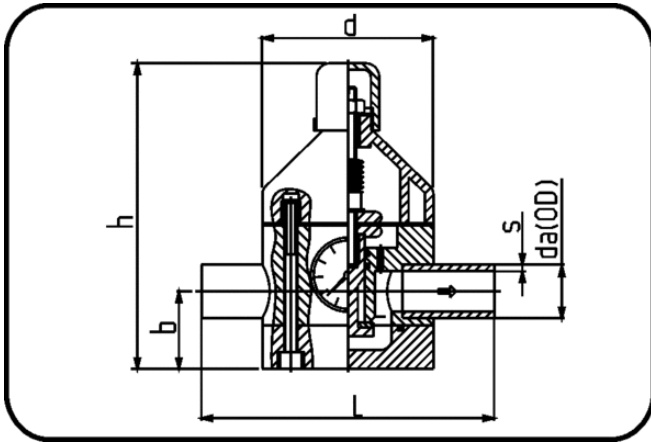


Valves



Code: 241

- Pressure reducing valve V82
- with gauge guard
- Butt + IR-welding
- PVDF UHP natural

Dim. 75 on request.

Dimension	Code	Detail	da(OD) mm	s mm	L mm	d mm	h mm	b mm	Weight
20	35.241.0020.21	20 - SDR21 MOP 10 bar	20	1,9	150	70	130	30	0.82
25	35.241.0025.21	25 - SDR21 MOP 10 bar	25	1,9	190	100	170	40	1.63
32	35.241.0032.21	32 - SDR21 MOP 10 bar	32	2,4	190	100	170	40	1.55
40	35.241.0040.21	40 - SDR21 MOP 10 bar	40	2,4	240	130	230	55	3.86
50	35.241.0050.21	50 - SDR21 MOP 10 bar	50	3	240	130	230	55	3.79
63	35.241.0063.21	63 - SDR21 MOP 10 bar	63	3	260	155	285	75	5.42