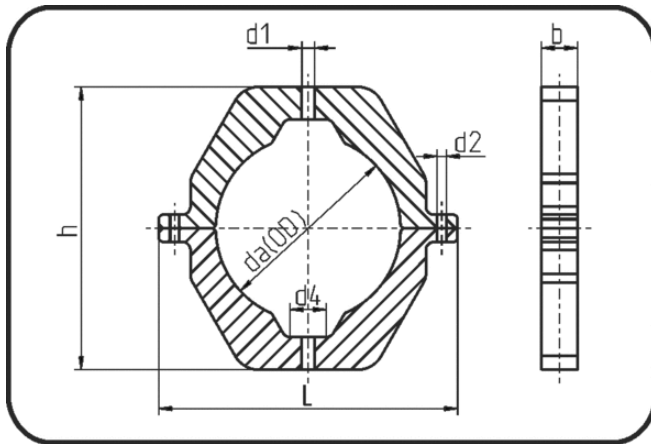


Backing Rings, Accessories



Code: 348.4

- Pipe Clip
- 2 halves / without screws
- machined
- Installation Accessory
- PPR grey

Dimension	Code	Detail	da(OD) mm	L mm	h mm	d1 mm	d2 mm	b mm	Weight
250	11.348.4250.00	250x40mm	250	380	362	14	10	40	1.70
280	11.348.4280.00	280x40mm	280	410	392	14	10	40	0.90
315	11.348.4315.00	315x40mm	315	445	432	14	10	40	2.00
400	11.348.4400.00	400x40mm	400	534	526	16	12	40	2.80
450	11.348.4450.00	450x40mm	450	584	578	16	12	40	3.20