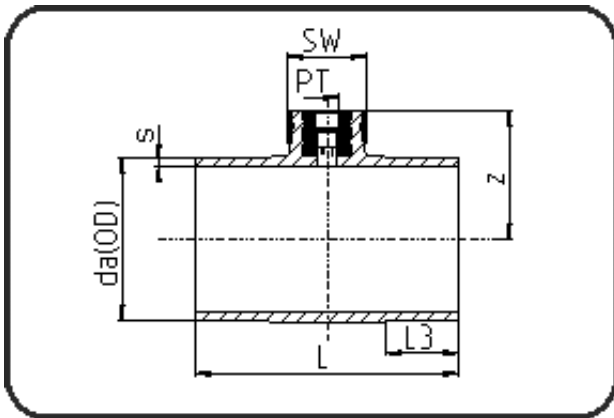


Fittings



Code: 220

- Sampling Tee
- with PT-female thread
- injection moulded
- **Butt + IR-welding**
- **PVDF UHP natural**

Dimension	Code	Detail	Weight
63	35.220.6316.21	63X3/8" PT SDR21 ISO S-10	0.30

	Unit	Nominale	Tol+	Tol-
da(OD)	mm	63	0.40	0.00
L	mm	139	2.00	0.00
PT	inch	0,375	0.00	0.00
SW	mm	55	0.00	0.00
L3	mm	30	2.00	0.00
s	mm	3	0.60	0.00
E	mm	16,66	0.00	0.00
K	mm	14,95	0.00	0.00
z	mm	64,5	2.00	0.00