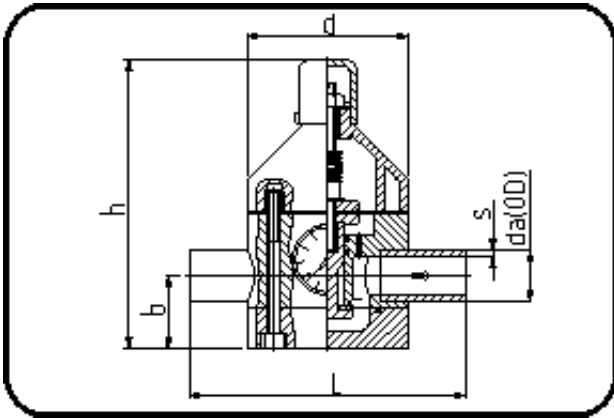


## Valves



Code: 241.1

- Pressure reducing valve V82
- with gauge guard/stainless
- **Butt + IR-welding**
- **PP Pure grey**

Dimension	Code	Detail	Weight
75	72.241.1075.11	75 - SDR11 MOP 6 bar	7.89

	Unit	Nominale	Tol+	Tol-
da(OD)	mm	75	0.00	0.00
L	mm	300	0.00	0.00
b	mm	100	0.00	0.00
DN	mm	65	0.00	0.00
s	mm	6,8	0.00	0.00
d	mm	190	0.00	0.00
p	bar	6	0.00	0.00
h	mm	350	0.00	0.00
da	inch	2,5	0.00	0.00