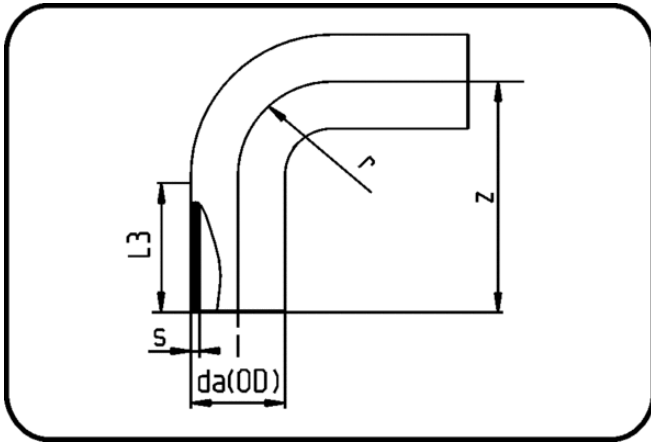


MULTI Fittings



Code: 068

- **MULTI-Bend 90°**
- long spigot
- injection moulded
- **Butt + IR + HPF-welding**
- **AGRU-Vent PVDF**

Dimension	Code	Detail	da(OD) mm	s mm	z mm	r mm	L3 mm	Weight
110	34.068.0110.33	110X3,4 SDR33 ISO S-16	110	3,4	142	110	34	0.67
63	34.068.0063.21	63X3,0 SDR21 ISO S-10	63	3	97	63	38	0.20