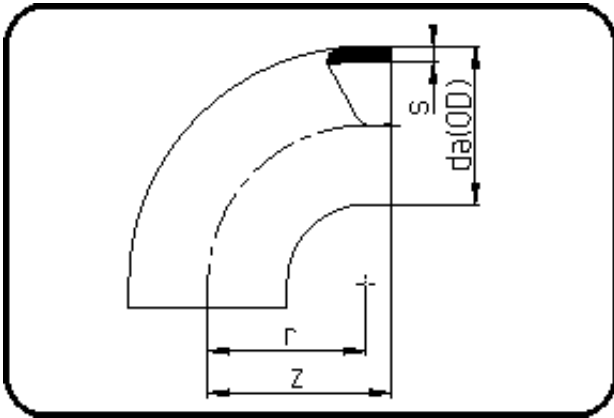


Fittings



Code: 001

- Bend 90°
- short spigot
- injection moulded
- **Butt + IR-welding**
- **PVDF UHP natural**

Dimension	Code	Detail	Weight
280	35.001.0280.21	280X13,4 SDR21 ISO S-10	10.10

	Unit	Nominale	Tol+	Tol-
da(OD)	mm	280	1.80	0.00
r	mm	260	0.00	0.00
s	mm	13,4	1.50	0.00
z	mm	288	3.00	3.00