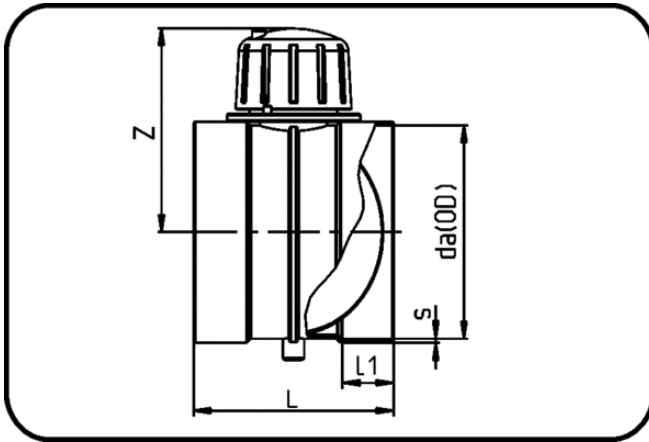


Fittings



Code: 34.008

- Throttle Valve
- for pressureless applications
- injection moulded
- Hot-gas-welding
- AGRU-Vent PVDF

Dimension	Code	Detail	da(OD) mm	s mm	z mm	L mm	L1 mm	Weight
63	34.008.0063.00	63X3,0	63	3	95	130	35	0.36
75	34.008.0075.00	75X3,0	75	3	100	130	35	0.40
90	34.008.0090.00	90X3,0	90	3	108	130	35	0.42
110	34.008.0110.00	110X3,0	110	3	118	155	40	0.62
160	34.008.0160.00	160X3,0	160	3	143	150	40	0.94
200	34.008.0200.00	200X3,0	200	3	163	170	50	1.25
250	34.008.0250.00	250X3,0	250	3	188	175	50	1.39
315	34.008.0315.00	315X3,0	315	3	221	175	50	2.32