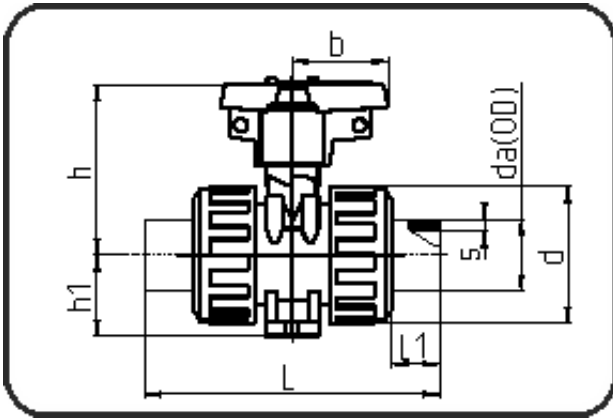


Valves



Code: 363.15

- Ball Valve M1
- FPM-sealing
- injection moulded
- **Butt + IR-welding**
- PVDF UHP natural

Dimension	Code	Detail	Weight
90	35.363.1590.21	90 - SDR21 ISO S-10	7.42

	Unit	Nominale	Tol+	Tol-
da(OD)	mm	90	0.40	0.00
L	mm	290,5	1.50	1.50
L1	mm	36	0.75	0.75
h1	mm	100	1.00	1.00
b	mm	132	0.00	0.00
DN	mm	80	0.00	0.00
s	mm	4,3	0.70	0.00
d	mm	192,5	0.75	0.75
p	bar	16	0.00	0.00
h	mm	167	0.75	0.75