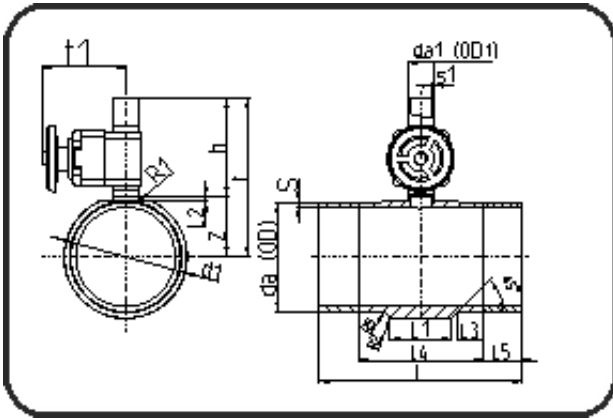


Valves



Code: 240

- T-Diaphragm Valve
- manually controlled
- EPDM/PTFE diaphragm
- machined
- **Butt + IR-welding**
- **PP Pure grey**

| Dimension | Code | Detail | Weight |
|-----------|----------------|---------------------------|--------|
| 140/40 | 72.240.1440.11 | 140/40 - SDR11 MOP 10 bar | 2.43 |

| | Unit | Nominale | Tol+ | Tol- |
|---------|------|----------|------|------|
| L | mm | 210 | 3.00 | 3.00 |
| s | mm | 12,7 | 1.40 | 0.00 |
| t | mm | 230 | 6.00 | 6.00 |
| t1 | mm | 144 | 1.00 | 1.00 |
| s1 | mm | 3,7 | 0.50 | 0.00 |
| z | mm | 77 | 1.50 | 1.50 |
| da(OD) | mm | 140 | 1.30 | 0.00 |
| L1 | mm | 50 | 1.50 | 1.50 |
| L3 | mm | 62,5 | 1.50 | 1.50 |
| L2 | mm | 7 | 1.50 | 1.50 |
| L5 | mm | 0 | 1.00 | 1.00 |
| L4 | mm | 210 | 1.00 | 1.00 |
| d1 | mm | 175 | 1.50 | 1.50 |
| h | mm | 102 | 0.00 | 0.00 |
| da(OD1) | mm | 40 | 0.40 | 0.00 |